

1469028-1 ✓ ACTIVE



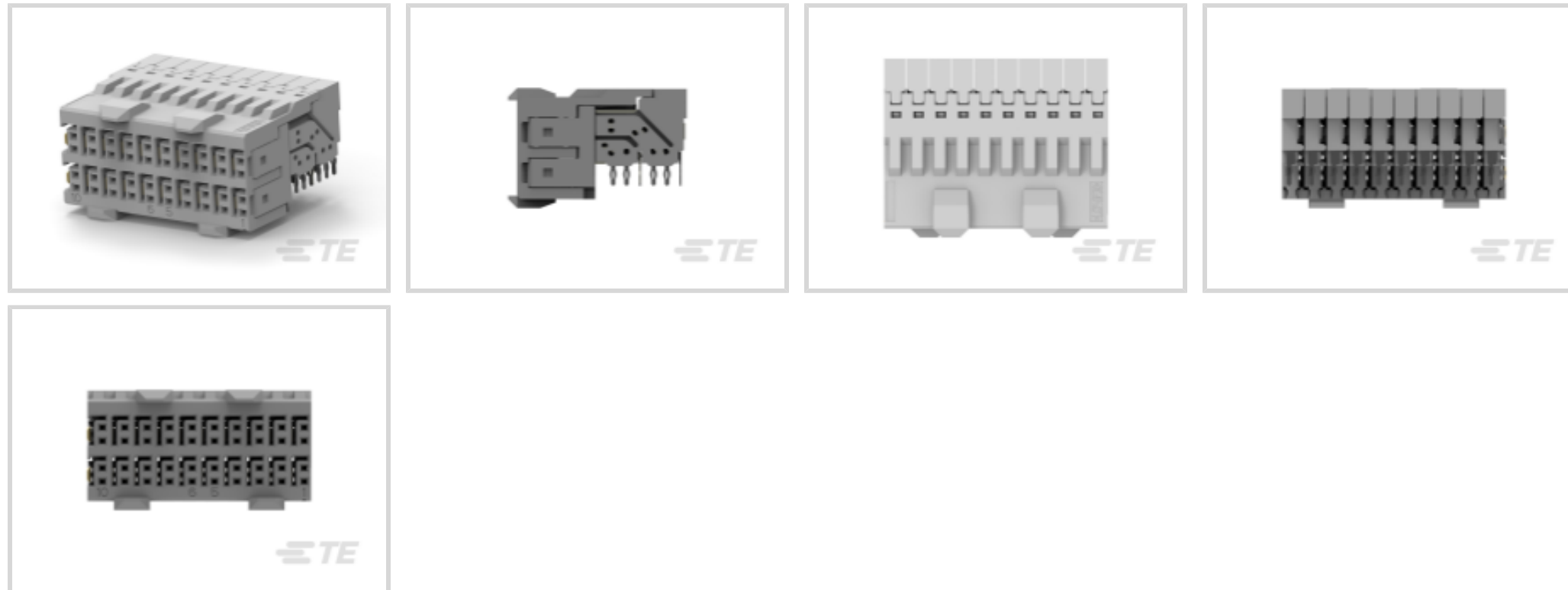
Z-PACK | Z-PACK HM-Zd

TE Internal #: 1469028-1

High Speed Backplane Connectors, Board-to-Board, 40 Position,  
Mating Alignment, Polarization Mating Alignment Type, 4 Row, 10  
Column, Z-PACK HM-Zd

[View on TE.com >](#)

Connectors > PCB Connectors > Backplane Connectors > High Speed Connectors



Connector System: **Board-to-Board**

Number of Positions: **40**

Row-to-Row Spacing: **1.5 mm [ .059 in ]**

Mating Alignment: **With**

Mating Alignment Type: **Polarization**

### Features

#### Product Type Features

|                                   |                       |
|-----------------------------------|-----------------------|
| Connector System                  | Board-to-Board        |
| PCB Connector Assembly Type       | PCB Mount Receptacle  |
| Shroud Style                      | Fully Shrouded        |
| Sealable                          | No                    |
| Connector & Contact Terminates To | Printed Circuit Board |

#### Configuration Features

|                            |                 |
|----------------------------|-----------------|
| Pairs per Column           | 2               |
| Number of Ground Positions | 20              |
| Card Slot Centerline       | 20.3 mm [.8 in] |
| Number of Pairs            | 20              |
| Number of Signal Positions | 40              |
| Number of Positions        | 40              |
| Number of Rows             | 4               |
| Number of Columns          | 10              |



|                       |             |
|-----------------------|-------------|
| PCB Mount Orientation | Right Angle |
|-----------------------|-------------|

|                |          |
|----------------|----------|
| Guide Location | Unguided |
|----------------|----------|

### Electrical Characteristics

|                   |         |
|-------------------|---------|
| Operating Voltage | 250 VAC |
|-------------------|---------|

### Signal Characteristics

|           |          |
|-----------|----------|
| Data Rate | ≤12 Gb/s |
|-----------|----------|

### Body Features

|                 |                 |
|-----------------|-----------------|
| Shield Material | Phosphor Bronze |
|-----------------|-----------------|

### Contact Features

|                |        |
|----------------|--------|
| Contact Layout | Matrix |
|----------------|--------|

|              |            |
|--------------|------------|
| Contact Type | Receptacle |
|--------------|------------|

|  |                |
|--|----------------|
| Contact Mating Area Plating Material Thickness | .76 μm[30 μin] |
|--|----------------|

|                                      |      |
|--------------------------------------|------|
| Contact Mating Area Plating Material | Gold |
|--------------------------------------|------|

|                       |                       |
|-----------------------|-----------------------|
| Contact Base Material | Copper Nickel Silicon |
|-----------------------|-----------------------|

|                              |      |
|------------------------------|------|
| Contact Current Rating (Max) | .7 A |
|------------------------------|------|

### Termination Features

|                                |                 |
|--------------------------------|-----------------|
| Termination Post & Tail Length | 2.2 mm[.086 in] |
|--------------------------------|-----------------|

|   |                          |
|---|--------------------------|
| Termination Method to Printed Circuit Board | Through Hole - Press-Fit |
|---|--------------------------|

### Mechanical Attachment

|                  |      |
|------------------|------|
| Mating Alignment | With |
|------------------|------|

|                       |              |
|-----------------------|--------------|
| Mating Alignment Type | Polarization |
|-----------------------|--------------|

|                         |             |
|-------------------------|-------------|
| Connector Mounting Type | Board Mount |
|-------------------------|-------------|

### Housing Features

|                  |                |
|------------------|----------------|
| Housing Material | Polyester - GF |
|------------------|----------------|

|               |      |
|---------------|------|
| Housing Color | Gray |
|---------------|------|

|                    |                 |
|--------------------|-----------------|
| Centerline (Pitch) | 2.5 mm[.098 in] |
|--------------------|-----------------|

### Dimensions

|                  |                 |
|------------------|-----------------|
| Connector Length | 24.9 mm[.98 in] |
|------------------|-----------------|

|                  |                   |
|------------------|-------------------|
| Connector Height | 11.35 mm[.446 in] |
|------------------|-------------------|

|                 |                  |
|-----------------|------------------|
| Connector Width | 18.9 mm[.744 in] |
|-----------------|------------------|

|                    |                 |
|--------------------|-----------------|
| Row-to-Row Spacing | 1.5 mm[.059 in] |
|--------------------|-----------------|

### Usage Conditions



|                             |                            |
|-----------------------------|----------------------------|
| Operating Temperature Range | -65 – 105 °C[-85 – 221 °F] |
|-----------------------------|----------------------------|

### Operation/Application

|                     |        |
|---------------------|--------|
| Circuit Application | Signal |
|---------------------|--------|

### Industry Standards

|                        |          |
|------------------------|----------|
| UL Flammability Rating | UL 94V-0 |
|------------------------|----------|

### Packaging Features

|                  |      |
|------------------|------|
| Packaging Method | Tube |
|------------------|------|

## Product Compliance

[For compliance documentation, visit the product page on TE.com>](#)

|   |   |
|---|---|
| EU RoHS Directive 2011/65/EU                  | Not Compliant   |
| EU ELV Directive 2000/53/EC                   | Compliant with Exemptions   |
| China RoHS 2 Directive MIIT Order No 32, 2016 | Restricted Materials Above Threshold  |
| EU REACH Regulation (EC) No. 1907/2006        | Current ECHA Candidate List: JUNE 2022 (224)<br>Candidate List Declared Against: JUNE 2022 (224)<br>SVHC > Threshold:<br>Pb (13% in Component Part)<br><b>Article Safe Usage Statements:</b><br>Do not eat, drink or smoke when using this product. Wash thoroughly after handling. Recycle if possible and dispose of the article by following all applicable governmental regulations relevant to your geographic location. |
| Halogen Content                               | Low Halogen - Br, Cl, F, I < 900 ppm per homogenous material. Also BFR/CFR/PVC Free   |
| Solder Process Capability                     | Not applicable for solder process capability  |

#### Product Compliance Disclaimer

This information is provided based on reasonable inquiry of our suppliers and represents our current actual knowledge based on the information they provided. This information is subject to change. The part numbers that TE has identified as EU RoHS compliant have a maximum concentration of 0.1% by weight in homogenous materials for lead, hexavalent chromium, mercury, PBB, PBDE, DBP, BBP, DEHP, DIBP, and 0.01% for cadmium, or qualify for an exemption to these limits as defined in the Annexes of Directive 2011/65/EU (RoHS2). Finished electrical and electronic equipment products will be CE marked as required by Directive 2011/65/EU. Components may not be CE marked. Additionally, the part numbers that TE has identified as EU ELV compliant have a maximum concentration of 0.1% by weight in homogenous materials for lead, hexavalent chromium, and mercury, and 0.01% for cadmium, or qualify for an exemption to these limits as defined in the Annexes of Directive 2000/53/EC (ELV). Regarding the REACH Regulation, the information TE provides on SVHC in articles for this part number is based on the latest European Chemicals Agency (ECHA) 'Guidance on requirements for substances in articles' posted at this URL: <https://echa.europa.eu/guidance-documents/guidance-on-reach>

## Compatible Parts



TE Part # 6469169-1  
HMZD 2PR RA HDR 40P



TE Part # 6469076-1  
HM-ZD 2PR HDR ASSY 1.8MM



TE Part # 6469025-1  
HM-ZD 2PR HDR 40P 2.5MM



TE Part # 1469025-1  
HM-ZD 2PR HDR 40P 2.5MM



TE Part # 6469025-2  
HM-ZD 2PR HDR 40P 3.7MM




TE Part # 91350-1  
SEATING TOOL, HMZD RCPT, 2 PAIR



TE Part # 6469076-2  
HM-ZD 2PR HDR ASSY 1.8MM



TE Part # 6469314-1  
2 PAIR HM ZD HDR ASSY, SEQU, LF




TE Part # 1469323-1  
2 PR HEADER ASSY, 40 POSN, PAC



TE Part # 1469205-1  
HMZD 2PAIR, 25MM MODULE, 2.5MM



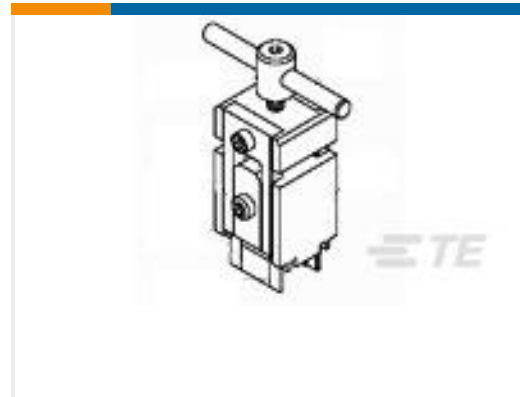
TE Part # 1469314-1  
2 PAIR HM ZD HEADER ASSY, SEQU



TE Part # 1469648-1  
HM-ZD 2PR HDR 40P QINGDAO PROD.



TE Part # 1469734-1  
HM-ZD 2PR HDR 40P SEQ, LF



TE Part # 1583224-1  
TOOL, REMOVAL, HMZD RECEPT. HOUS



TE Part # 1583249-1  
TOOL, REMOVAL, HMZD CHICLET, 2PR.

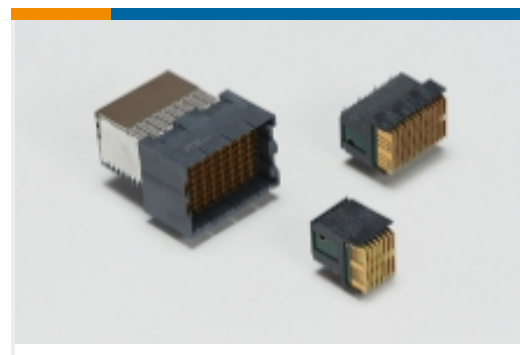


TE Part # 6469054-1  
HM-ZD 2PR HDR SELECT LOAD

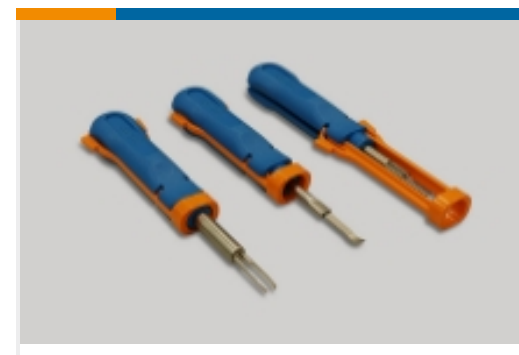
Also in the Series | Z-PACK HM-Zd



Hard Metric Backplane Connectors(1)



High Speed Backplane Connectors(46)



Insertion & Extraction Tools(2)

Documents



### Product Drawings

#### HM-ZD 2PR RECP 40P

English

---

### CAD Files

#### 3D PDF

3D

#### Customer View Model

[ENG\\_CVM\\_CVM\\_1469028-1\\_F\\_c-1469028-1-f.2d\\_dxf.zip](#)

English

#### Customer View Model

[ENG\\_CVM\\_CVM\\_1469028-1\\_F\\_c-1469028-1-f.3d\\_igs.zip](#)

English

#### Customer View Model

[ENG\\_CVM\\_CVM\\_1469028-1\\_F\\_c-1469028-1-f.3d\\_stp.zip](#)

English

By downloading the CAD file I accept and agree to the [Terms and Conditions](#) of use.

---

### Product Specifications

#### Application Specification

English